

TRUE UNION DIAPHRAGM VALVE



DF Series

油任式隔膜閥 (插管式、牙口式)

DF100 SOCKET / DF200 THREAD

● MATERIALS OF CONSTRUCTION

內部零件材料表

Item	Parts	Pcs	Materials	Item	Parts	Pcs	Materials
1	Shaft 軸心	1	BRASS	9	Gauge Cover 指示瓶蓋	1	PC
2	Diaphragm 膜片	1	EPDM, TEFLON	10	O-ring O-環	2	EPDM, VITON
3	Body 主體	1	UPVC, PP, CPVC, PVDF	11	Compressor 壓板	1	15A-25A PVDF 32A-50A PPG
4	Sleeve 角牙母	1	BRASS	12	Indicator 指示器	1	PE
5	Union Nut 由任外蓋	2	UPVC, PP, CPVC, PVDF	13	Bolt 螺母	4	SUS304
6	Handle 手把	1	ABS	14	Nut 螺帽	4	SUS304
7	End Connector 接頭	2	UPVC, PP, CPVC, PVDF	15	Spring Washer 華司	8	SUS304
8	Bonnet 上蓋	1	UPVC, PP, CPVC, PVDF				



TORQUE VALUE(扭力值)

SIZE	Kg.m	N.m
1/2"-3/4"	80	7.85
1"	80	7.85
1-1/2"	100	9.81
2"	100	9.81

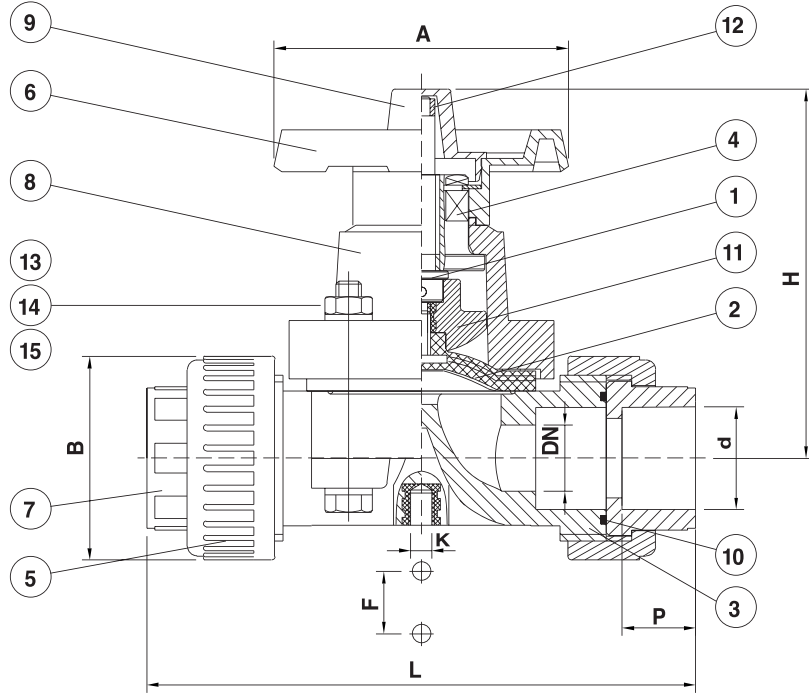
1Kg.m=0.0981N.m

CV VALUE

CV值【GMP/(1lbf/in²)^{1/2}】

OPENING:100%

尺寸	CV值
1/2"	3.27
3/4"	5.29
1"	8.87
1-1/2"	31.09
2	43.15



DN15~DN50

DIMENSIONS TABLE

尺寸表

Standards Norm. Size	JIS										ANSI										DIN												
	Unit: mm										Unit: inch										Unit: mm												
	d		P	B	L	H	A	F	K	Test Pres, (kgf/cm ²)	d		P	B	L	H	A	F	K	Test Pres, (lb/in ²)	d		P	B	L	H	A	F	K	Test Pres, (kgf/cm ²)			
	Socket	Thread							Pile dia,	Rubber Dia,	Socket	Thread							Pile dia,	Rubber Dia,	Socket	Thread							Pile dia,	Rubber Dia,			
15-1/2"	22	PT1/2	22.2	54	166	104	81	25	5/16"	7	10	0.84	NPT1/2	0.875	2.126	6.53	4.094	3.189	0.984	5/16"	104	148	20	R1/2	16.0	54	166	104	81	25	5/16"	7	10
20-3/4"	26	PT3/4	25.4	54	166	104	81	25	5/16"	7	10	1.05	NPT3/4	1.000	2.126	6.53	4.094	3.189	0.984	5/16"	104	148	25	R1/4	18.5	54	166	104	81	25	5/16"	7	10
25-1"	32	PT1	28.6	63	183	116	91	25	5/16"	7	10	1.32	NPT1	1.125	2.480	7.2	4.567	3.583	0.984	5/16"	104	148	32	R1	22.0	63	183	116	91	25	5/16"	7	10
32-11/4"	38	PT11/4	31.8	89	238	142	117	45	5/16"	7	10	1.66	NPT1-1/4	1.250	3.5	9.37	5.591	4.606	1.772	5/16"	104	148	40	R1-1/4	26.0	89	238	142	117	45	5/16"	7	10
40-11/2"	48	PT11/2	34.9	89	238	142	117	45	5/16"	7	10	1.90	NPT1-1/2	1.375	3.5	9.37	5.591	4.606	1.772	5/16"	104	148	50	R1-1/2	31.0	89	238	142	117	45	5/16"	7	10
50-2"	60	PT2	38.1	101	273	176	150	45	5/16"	7	10	2.38	NPT2	1.500	3.97	10.74	6.929	5.906	1.772	5/16"	104	148	63	R2	37.5	101	273	176	150	45	5/16"	7	10

※ Standard dimensions based on PVC material
本表以PVC材質為基準